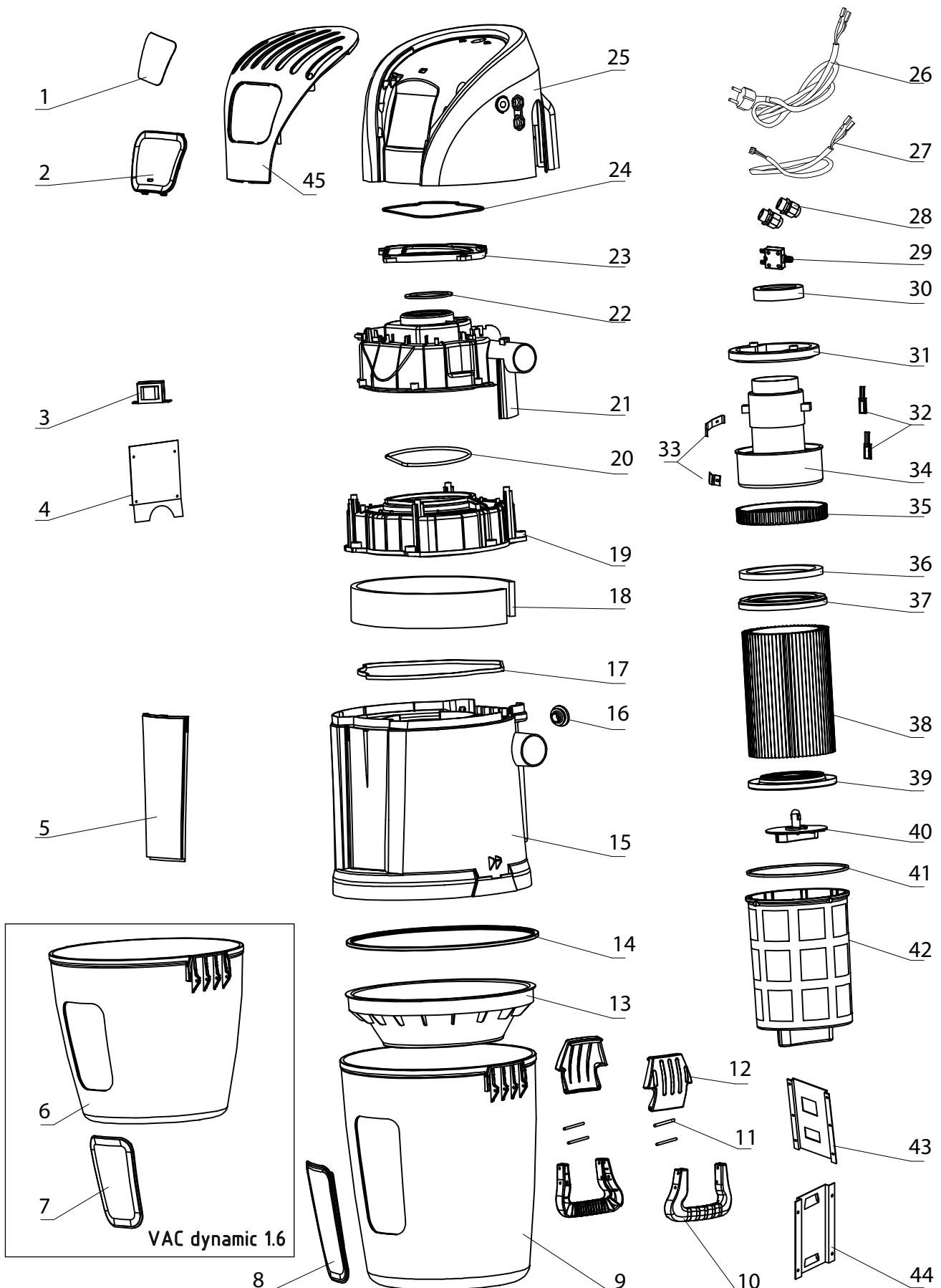


VAC dynamic 1.6-1.8



VAC dynamic 1.6

VAC dynamic 1.6-1.8

1	VAC dynamic panel label
2	Panel label support
3	Power transformer
4	PCB
5	Panel lower
6	Dust container VAC 1.6
7	Window dust container VAC 1.6
8	Window dust container VAC 1.8
9	Dust container VAC 1.8
10	Handle
11	Handle stick
12	Handle lock
13	Cyclonic cone
14	Cyclonic cone seal
15	Middle tank
16	Cap
17	Sealing ring
18	Muffler sponge
19	Motor mask
20	Sealing ring
21	Motor muffler
22	Sealing ring
23	Coupling piece upper tank
24	Sealing ring
25	Upper tank
26	Electrical supply cable
27	Low voltage cable
28	Cable clamp
29	Reset swich
30	Anti-shake ring of motor
31	Motor holder
32	Thermal sensor
33	Thermal sensor holder
34	Motor
35	Anti-vibration ring of motor
36	Rubber joint sealing of hepa filter
37	Hepa filter upper lid
38	Hepa filter
39	Hepa filter lower lid
40	Easy-klik
41	Pro-Tecta sealing ring
42	Pro-Tecta filter
43	Hanging bracket for VAC 1.6
44	Hanging bracket for VAC 1.8
45	Panel upper

